

INSTALLATION INSTRUCTIONS



Midi Fire-Cryer Plus Voice Enhanced Sounder (Part Code FC3/F/R/0/0)

General

A high-powered Voice Sounder designed for environments requiring a high volume output. Recommended applications include industrial buildings or large open spaces such as warehouses, factories or canteens.

Multi-message applications will additionally require the Voice Message Controller to enable full functionality.

Specification

Tone Output (Max)	110dB(A) at 1 metre
Volume Adjustment	8dB
Nominal Current at 24Vdc	100mA Average/ 180mA Peak
Voltage Range	20Vdc - 28Vdc (24Vdc Nominal)
Ingress Protection	IP67 (Subject to fitting appropriate glands)
Cable entries	2x M20 (One entry located at rear of Product)
Terminals	0.5mm ² - 2.5mm ² cables
Operating Temperature	-10°C to +55°C

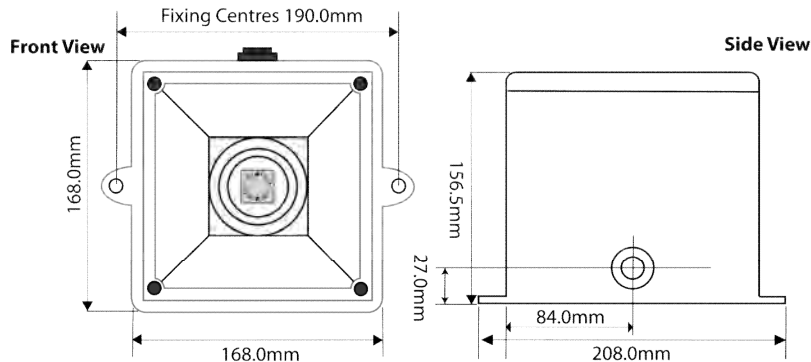
Note: Operating data based upon VimpeX Message Option A (Fire)

Current consumption may vary depending upon voice file used

Installation, Message Selection & Volume Control

Remove front horn via the four pozi-pan screws located in each corner of the front section, taking care to ensure the washers do not become dislodged and lost. Mount backbox to building substrate. Once safely fastened to wall/ substrate fit appropriate cable entry glands (One gland supplied) prior to installing cables. Connect the field wiring as per the diagram shown and ensure DIL switches are configured correctly before re-securing the front horn.

Mechanical Information



INSTALLATION INSTRUCTIONS



Midi Fire-Cryer Plus Voice Enhanced Sounder (Part Code FC3/F/R/0/0)

General

A high-powered Voice Sounder designed for environments requiring a high volume output. Recommended applications include industrial buildings or large open spaces such as warehouses, factories or canteens.

Multi-message applications will additionally require the Voice Message Controller to enable full functionality.

Specification

Tone Output (Max)	110dB(A) at 1 metre
Volume Adjustment	8dB
Nominal Current at 24Vdc	100mA Average/ 180mA Peak
Voltage Range	20Vdc - 28Vdc (24Vdc Nominal)
Ingress Protection	IP67 (Subject to fitting appropriate glands)
Cable entries	2x M20 (One entry located at rear of Product)
Terminals	0.5mm ² - 2.5mm ² cables
Operating Temperature	-10°C to +55°C

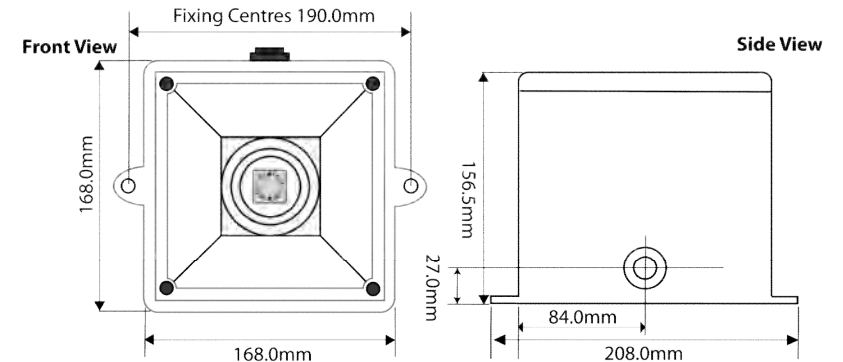
Note: Operating data based upon VimpeX Message Option A (Fire)

Current consumption may vary depending upon voice file used

Installation, Message Selection & Volume Control

Remove front horn via the four pozi-pan screws located in each corner of the front section, taking care to ensure the washers do not become dislodged and lost. Mount backbox to building substrate. Once safely fastened to wall/ substrate fit appropriate cable entry glands (One gland supplied) prior to installing cables. Connect the field wiring as per the diagram shown and ensure DIL switches are configured correctly before re-securing the front horn.

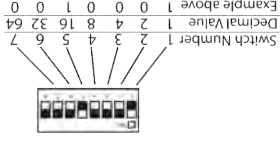
Mechanical Information



INSTALLATION INSTRUCTIONS

Midi Fire-Cryer Plus Voice Enhanced Sounder (Part Code FC3/F/R/0/0)

Message Selection*	Switch 4	Switch 5	Switch 6
Message Selection Use	OFF	OFF	OFF
Message 1	ON	OFF	OFF
Message 2	OFF	ON	OFF
Message 3	ON	ON	OFF
Message 4	OFF	OFF	ON
Message 5	ON	OFF	ON
Message 6	OFF	ON	ON
Message 7	ON	ON	ON



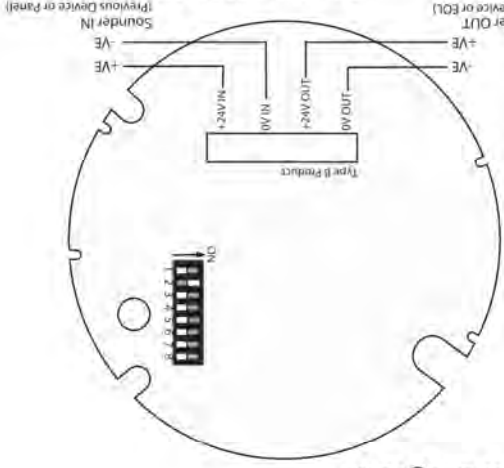
Switch Number 1
2
3
4
5
6
7
Decimal Value 1 2 4 8 16 32 64
Example above 1 0 0 0 1 0 0

Note: Switches 3, 7 and 8 are not used and must be set to OFF position.

*If used in conjunction with VM/C/xx/xx/05 then set product for 'Multi-Message Use' upon DIL switch combination. Please note that direct application of 24Vdc will result in the operation of 1 out of 7 single pre-stored messages, depending upon DIL switch combination.

Volume Setting	Switch 1	Switch 2
0dB (Max Vol)	OFF	ON
-2dB	OFF	OFF
-5dB	ON	ON
-8dB (Min Vol)	ON	OFF

Connection Diagram

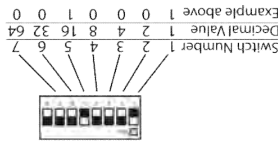


Vimpex Limited
Star Lane, Great Wakering
Essex S53 0PJ
England
Tel: +44(0) 1702 216 999
Email: sales@vimpex.co.uk
web:www.vimpex.co.uk
Document Part No. 3500048 (Iss 3)

INSTALLATION INSTRUCTIONS

Midi Fire-Cryer Plus Voice Enhanced Sounder (Part Code FC3/F/R/0/0)

Message Selection*	Switch 4	Switch 5	Switch 6
Message Selection Use	OFF	OFF	OFF
Message 1	ON	OFF	OFF
Message 2	OFF	ON	OFF
Message 3	ON	ON	OFF
Message 4	OFF	OFF	ON
Message 5	ON	OFF	ON
Message 6	OFF	ON	ON
Message 7	ON	ON	ON



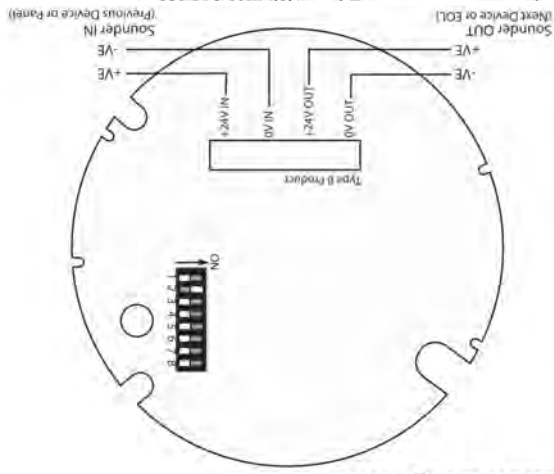
Switch Number 1
2
3
4
5
6
7
Decimal Value 1 2 4 8 16 32 64
Example above 1 0 0 0 1 0 0

Note: Switches 3, 7 and 8 are not used and must be set to OFF position.

*If used in conjunction with VM/C/xx/xx/05 then set product for 'Multi-Message Use' upon DIL switch combination. Please note that direct application of 24Vdc will result in the operation of 1 out of 7 single pre-stored messages, depending upon DIL switch combination.

Volume Setting	Switch 1	Switch 2
0dB (Max Vol)	OFF	ON
-2dB	OFF	OFF
-5dB	ON	ON
-8dB (Min Vol)	ON	OFF

Connection Diagram



Vimpex Limited
Star Lane, Great Wakering
Essex S53 0PJ
England
Tel: +44(0) 1702 216 999
Email: sales@vimpex.co.uk
web:www.vimpex.co.uk
Document Part No. 3500048 (Iss 3)